

Technical Data Sheet

ENGINEERING
TOMORROW



Compressor model **GE70TG**
Voltage **220-240/230V 50/60Hz ~1**
Refrigerant **R134a**

APPLICATION

COMPRESSOR

MOTOR

Application	High Back Pressure	Displacement	6,70 cm ³	Nominal Power	1/5 hp
Refrigerant	R134a	Diameter	24,28 mm	Voltage/Frequency	230V 60Hz
Evaporating Temp.	-15,0 °C to 10,0 °C	Stroke	14,50 mm	Voltage range	196-253 V
Expansion	Capillar/Valve	Net Weight	8,80 Kg	Type	CSIR
Comp. Cooling	Fan cooled	Oil type	ISO VG 22 ESTER	Phase number	1 PH
Max. ambient temp.	43,0 °C	Oil charge	220 cm ³	Locked Rotor Amps (LRA)	14,00 A
Compatible refriger.	R1234yf			Main W. resist. at 25°C	10,50 Ω
				Start W. resist. at 25°C	23,30 Ω

NOMINAL PERFORMANCE

	ASHRAE	CECOMAF
Cooling Capacity	721 kCal/h	701 W
COP	2,44 W/W	2,11 W/W
EER	2,10 kCal/Wh	1,82 kCal/Wh
Input Power	343 W	333 W
Current	1,90 A	1,86 A

APPROVALS



TEST CYCLE CONDITIONS

	ASHRAE HBP (D)	CECOMAF HBP (C)
Evaporating temp. (T _e)	7,2 °C	5,0 °C
Condensing temp. (T _c)	55,0 °C	55,0 °C
Liquid temp. (T _{liq.})	46,0 °C	55,0 °C
Ambient temp. (T _{amb.})	35,0 °C	32,0 °C
Suction temp. (T _{suction})	35,0 °C	32,0 °C
Voltage/Frequency	230 V 60 Hz	230 V 60 Hz

ELECTRICAL COMPONENTS

Starting capacitor	60-61 µF 330 V			
Relay	Option 1			
Reference	QLZ-6.1A			
Pick-Up	6.10 A			
Drop-Out	5.20 A			
Protector	Option 1			
Reference	B85-105			
Current	8,50 A			
Time check	7,5-14 seg			
Disc temp. (Open/Close)	105,00 / 61,00 °C			

Technical Data Sheet

ENGINEERING
TOMORROW



ASHRAE

Tc °C	Te °C	Cooling Capacity kCal/h	Consumption W	Current A	COP W/W	EER kCal/Wh
40	-15	327	200	1,43	1,90	1,64
40	-10	415	221	1,50	2,18	1,88
40	-5	518	242	1,56	2,49	2,14
40	0	634	263	1,63	2,81	2,41
40	5	765	284	1,70	3,13	2,70
40	7,2	827	293	1,73	3,28	2,82
40	10	910	305	1,77	3,47	2,99

45	-15	308	206	1,45	1,73	1,49
45	-10	392	230	1,52	1,99	1,71
45	-5	491	253	1,60	2,26	1,94
45	0	604	276	1,67	2,54	2,19
45	5	731	300	1,75	2,84	2,44
45	7,2	792	310	1,78	2,97	2,56
45	10	872	323	1,83	3,15	2,70

50	-15	288	213	1,47	1,58	1,36
50	-10	370	238	1,55	1,80	1,55
50	-5	465	264	1,63	2,05	1,76
50	0	574	290	1,72	2,31	1,98
50	5	698	315	1,80	2,57	2,21
50	7,2	756	326	1,84	2,70	2,32
50	10	835	341	1,89	2,85	2,45

55	-15	269	219	1,49	1,43	1,23
55	-10	347	247	1,58	1,63	1,40
55	-5	438	275	1,67	1,85	1,59
55	0	544	303	1,76	2,09	1,80
55	5	664	331	1,86	2,33	2,01
55	7,2	721	343	1,90	2,44	2,10
55	10	798	358	1,96	2,59	2,23

60	-15	250	225	1,51	1,29	1,11
60	-10	324	256	1,60	1,47	1,27
60	-5	412	286	1,70	1,67	1,44
60	0	514	316	1,81	1,89	1,62
60	5	630	346	1,91	2,12	1,82
60	7,2	686	360	1,96	2,22	1,91
60	10	760	376	2,02	2,35	2,02

65	-15	230	232	1,53	1,16	0,99
65	-10	301	264	1,63	1,32	1,14
65	-5	385	297	1,74	1,51	1,30
65	0	484	330	1,85	1,71	1,47
65	5	596	362	1,97	1,92	1,65
65	7,2	650	376	2,02	2,01	1,73
65	10	723	394	2,09	2,13	1,83

CECOMAF

Tc °C	Te °C	Cooling Capacity W	Consumption W	Current A	COP W/W	EER kCal/Wh
40	-15	352	201	1,44	1,75	1,51
40	-10	448	222	1,50	2,01	1,74
40	-5	558	244	1,57	2,29	1,98
40	0	684	265	1,63	2,58	2,23
40	5	824	286	1,70	2,88	2,49
40	7,2	890	295	1,73	3,02	2,61
40	10	978	307	1,77	3,19	2,76

45	-15	330	207	1,46	1,59	1,37
45	-10	421	231	1,53	1,82	1,57
45	-5	527	255	1,60	2,07	1,79
45	0	647	278	1,68	2,33	2,01
45	5	783	301	1,75	2,60	2,24
45	7,2	847	312	1,79	2,72	2,35
45	10	933	325	1,84	2,87	2,48

50	-15	307	214	1,47	1,44	1,24
50	-10	394	240	1,55	1,64	1,42
50	-5	495	266	1,64	1,86	1,61
50	0	611	291	1,72	2,10	1,81
50	5	742	317	1,81	2,34	2,02
50	7,2	804	328	1,85	2,45	2,12
50	10	888	343	1,90	2,59	2,24

55	-15	285	220	1,49	1,29	1,12
55	-10	367	248	1,58	1,48	1,27
55	-5	463	277	1,67	1,67	1,45
55	0	575	305	1,77	1,89	1,63
55	5	701	333	1,86	2,11	1,82
55	7,2	761	345	1,91	2,21	1,91
55	10	842	361	1,96	2,33	2,02

60	-15	262	227	1,51	1,16	1,00
60	-10	339	257	1,61	1,32	1,14
60	-5	432	288	1,71	1,50	1,30
60	0	539	318	1,81	1,69	1,46
60	5	660	349	1,92	1,89	1,64
60	7,2	719	362	1,97	1,99	1,72
60	10	797	379	2,03	2,10	1,82

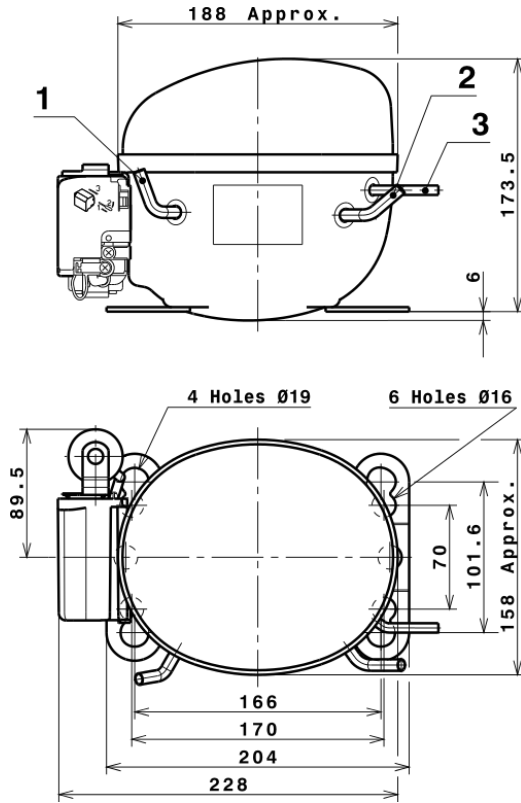
65	-15	239	233	1,53	1,03	0,89
65	-10	312	266	1,64	1,17	1,01
65	-5	400	299	1,75	1,34	1,16
65	0	502	332	1,86	1,51	1,31
65	5	620	364	1,98	1,70	1,47
65	7,2	676	379	2,03	1,78	1,54
65	10	752	397	2,10	1,89	1,64

EN12900

X	Cooling Capacity (W)	Consumption (W)	Current (A)	Mass Flow (kg/h)
1	977,8122562554	161,3310191893	1,2714295481	15,821031911072
2	34,1590306571	0,5293190843	-0,0002560315	0,58534664204515
3	-7,5830749154	2,7530545463	0,0094911361	-0,01959673785308
4	0,2918594601	0,0011789504	0,0000825412	0,0089415188526004
5	-0,1977379678	0,0966478793	0,0003716487	0,001002186280297

Equation	$x_1 + x_2Te + x_3Tc + x_4Te^2 + x_5TeTc$
----------	---

COMPRESSOR DIMENSIONS

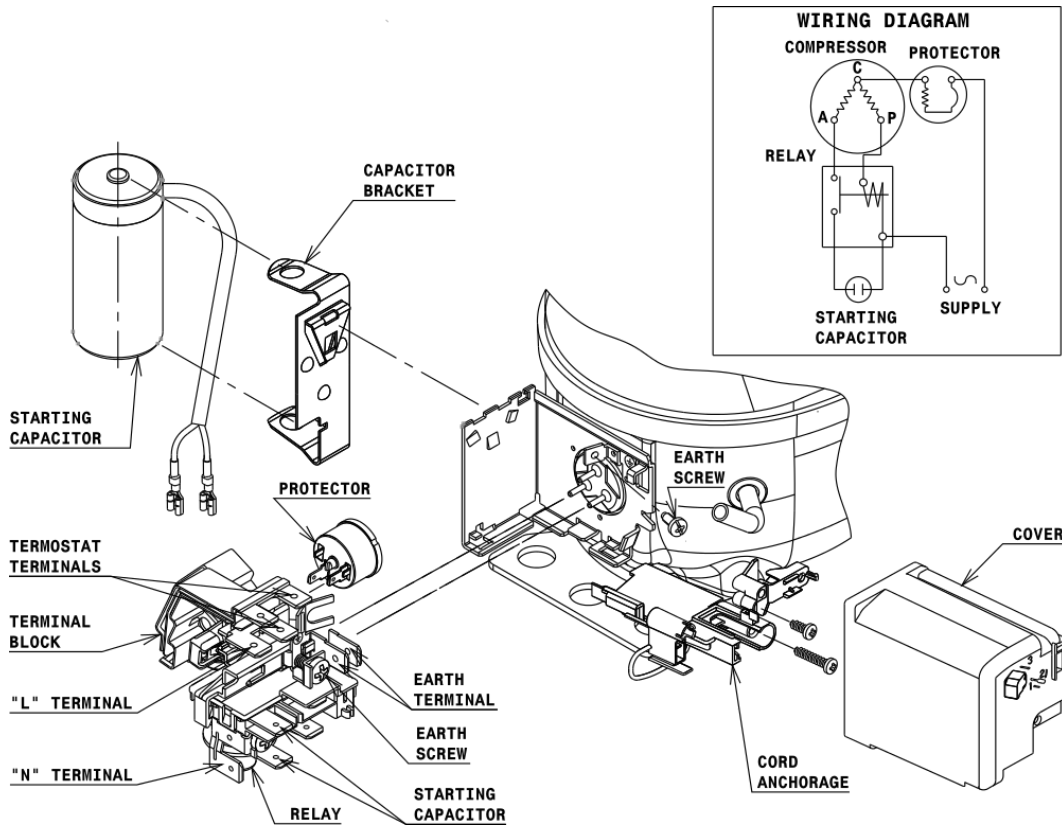


DESIGNATION INTERNAL DIAM.

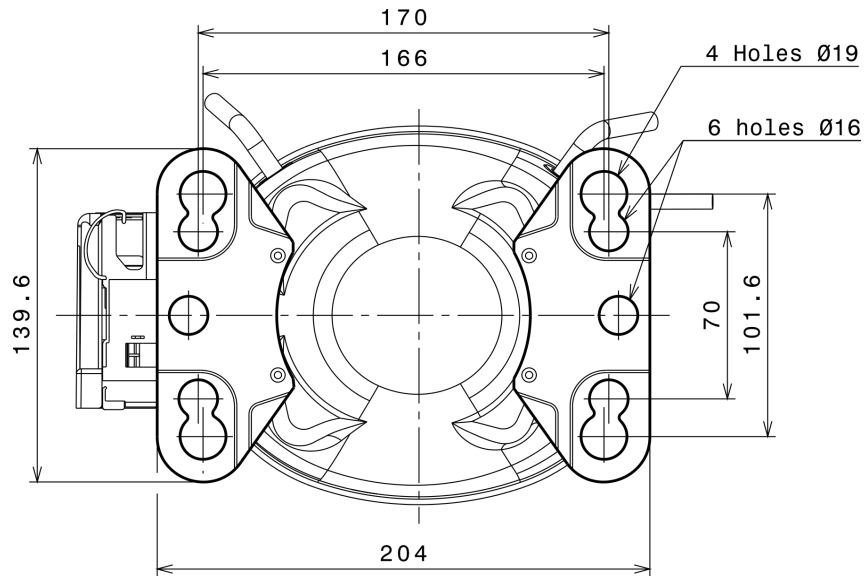
DESIGNATION	INTERNAL DIAM.
1 Service	6,2 mm
2 Suction	6,2 mm
3 Discharge	4,9 mm

WIRING DIAGRAMS AND ELECTRICAL ASSEMBLY

CSIR CONNECTION (U range)



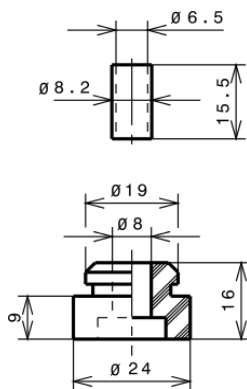
FIXINGS



SILENT BLOCKS (MOUNTING ACCESSORIES)

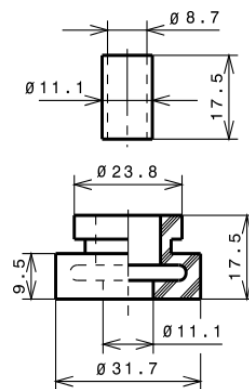
STANDARD

$\varnothing 16$ holes (170x70 net)



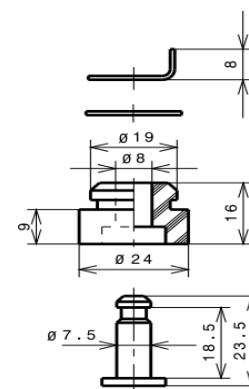
AMERICAN FEET

$\varnothing 19$ holes (166x101.6 net)



SNAP-ON

$\varnothing 16$ holes (170x70 net)



SOA

SOA R134a HBP

