

Technical Data Sheet

ENGINEERING
TOMORROW



Compressor model **MLY60LAB**
Voltage **220-240V 50Hz ~1**
Refrigerant **R404A**

APPLICATION

COMPRESSOR

MOTOR

Application	Low Back Pressure	Displacement	5,98 cm ³	Nominal Power	1/5 hp
Refrigerant	R404A	Diameter	20,88 mm	Voltage/Frequency	220-240V 50Hz
Evaporating Temp.	-40,0 °C to -10,0 °C	Stroke	17,47 mm	Voltage range	187-264 V
Expansion	Capillar/Valve	Net Weight	10,12 Kg	Type	CSR
Comp. Cooling	Fan cooled	Oil type	ISO VG 32 ESTER	Phase number	1 PH
Max. ambient temp.	43,0 °C	Oil charge	295 cm ³	Locked Rotor Amps (LRA)	10,00 A
				Max. Cont. Current (MCC)	2,50 A
				Main W. resist. at 25°C	9,58 Ω
				Start W. resist. at 25°C	17,00 Ω

NOMINAL PERFORMANCE

	ASHRAE	CECOMAF
Cooling Capacity	280 kCal/h	221 W
COP	1,36 W/W	0,96 W/W
EER	1,17 kCal/Wh	0,83 kCal/Wh
Input Power	240 W	230 W
Current	1,23 A	1,19 A

APPROVALS



TEST CYCLE CONDITIONS

	ASHRAE LBP (B)	CECOMAF LBP (A)
Evaporating temp. (T _e)	-23,3 °C	-25,0 °C
Condensing temp. (T _c)	55,0 °C	55,0 °C
Liquid temp. (T _{liq.})	32,0 °C	55,0 °C
Ambient temp. (T _{amb.})	32,0 °C	32,0 °C
Suction temp. (T _{suction})	32,0 °C	32,0 °C
Voltage/Frequency	220 V 50 Hz	220 V 50 Hz

ELECTRICAL COMPONENTS

Starting capacitor	47- 56 μF 330 V		
Run capacitor	5 μF 400 V		
Relay	Option 1	Option 2	
Reference	2014 127. + NTC15Ω	QLZ-4.8A+NTC15	
Pick-Up	4,80 A	4.8 A	
Drop-Out	4,10 A	4.1 A	
Protector	Option 1	Option 2	
Reference	MRP63AMK	T0069	
Current	7,10 A	7,10 A	
Time check	7,5-14 seg	7,5-14 seg	
Disc temp. (Open/Close)	105,00 / 61,00 °C	105,00 / 62,00 °C	



ASHRAE

Tc °C	Te °C	Cooling Capacity kCal/h	Consumption W	Current A	COP W/W	EER kCal/Wh
40	-40	130	156	0,89	0,97	0,84
40	-35	179	177	0,97	1,18	1,01
40	-30	237	199	1,06	1,39	1,19
40	-25	306	222	1,16	1,60	1,37
40	-23,3	331	230	1,19	1,67	1,44
40	-20	383	246	1,26	1,81	1,55
40	-15	471	272	1,37	2,02	1,73
40	-10	568	298	1,48	2,22	1,91

45	-40	120	152	0,88	0,92	0,79
45	-35	167	175	0,97	1,11	0,95
45	-30	223	200	1,06	1,30	1,12
45	-25	289	225	1,17	1,50	1,29
45	-23,3	314	234	1,20	1,56	1,34
45	-20	365	251	1,28	1,69	1,45
45	-15	450	278	1,40	1,88	1,62
45	-10	545	306	1,52	2,07	1,78

50	-40	110	149	0,86	0,86	0,74
50	-35	155	174	0,96	1,04	0,89
50	-30	209	200	1,06	1,21	1,04
50	-25	273	227	1,18	1,40	1,20
50	-23,3	297	237	1,22	1,46	1,25
50	-20	347	255	1,30	1,58	1,36
50	-15	430	285	1,42	1,76	1,51
50	-10	523	315	1,56	1,93	1,66

55	-40	100	145	0,85	0,80	0,69
55	-35	143	172	0,95	0,96	0,83
55	-30	195	201	1,07	1,13	0,97
55	-25	257	230	1,19	1,30	1,12
55	-23,3	280	240	1,23	1,36	1,17
55	-20	328	260	1,32	1,47	1,26
55	-15	409	291	1,45	1,64	1,41
55	-10	500	323	1,60	1,80	1,55

60	-40	90	142	0,84	0,74	0,64
60	-35	131	171	0,95	0,89	0,76
60	-30	181	201	1,07	1,05	0,90
60	-25	241	232	1,20	1,20	1,04
60	-23,3	263	243	1,24	1,26	1,08
60	-20	310	264	1,34	1,36	1,17
60	-15	389	298	1,48	1,52	1,31
60	-10	478	332	1,64	1,68	1,44

CECOMAF

Tc °C	Te °C	Cooling Capacity W	Consumption W	Current A	COP W/W	EER kCal/Wh
40	-40	137	156	0,89	0,88	0,76
40	-35	194	177	0,97	1,10	0,95
40	-30	260	199	1,06	1,30	1,13
40	-25	333	222	1,16	1,50	1,29
40	-23,3	360	230	1,19	1,56	1,35
40	-20	414	246	1,26	1,68	1,45
40	-15	504	272	1,37	1,85	1,60
40	-10	601	298	1,48	2,02	1,74

45	-40	120	152	0,88	0,79	0,68
45	-35	171	175	0,97	0,97	0,84
45	-30	229	200	1,06	1,15	0,99
45	-25	296	225	1,17	1,32	1,14
45	-23,3	320	234	1,20	1,37	1,18
45	-20	370	251	1,28	1,48	1,27
45	-15	453	278	1,40	1,63	1,41
45	-10	543	306	1,52	1,78	1,53

50	-40	103	149	0,86	0,70	0,60
50	-35	147	174	0,96	0,85	0,73
50	-30	199	200	1,06	0,99	0,86
50	-25	258	227	1,18	1,14	0,98
50	-23,3	281	237	1,22	1,18	1,02
50	-20	326	255	1,30	1,28	1,10
50	-15	402	285	1,42	1,41	1,22
50	-10	486	315	1,56	1,54	1,33

55	-40	86	145	0,85	0,60	0,52
55	-35	123	172	0,95	0,72	0,62
55	-30	168	201	1,07	0,84	0,72
55	-25	221	230	1,19	0,96	0,83
55	-23,3	241	240	1,23	1,00	0,87
55	-20	282	260	1,32	1,09	0,94
55	-15	351	291	1,45	1,21	1,04
55	-10	428	323	1,60	1,32	1,14

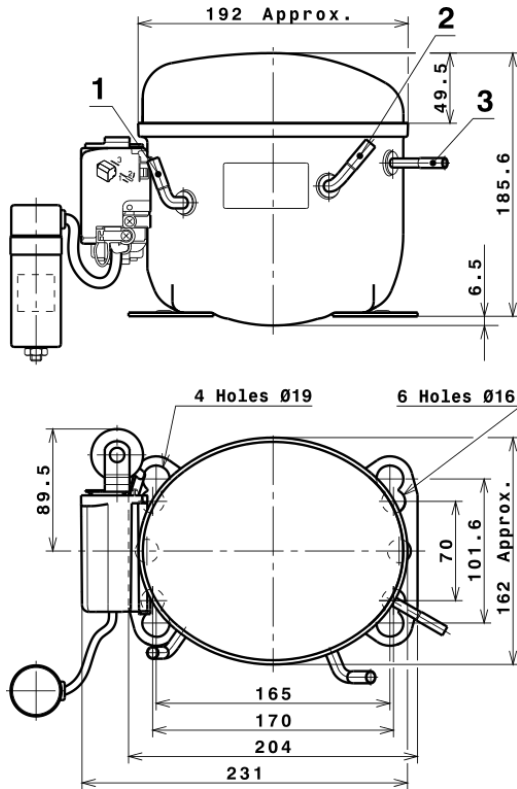
60	-40	70	142	0,84	0,49	0,42
60	-35	100	171	0,95	0,58	0,50
60	-30	138	201	1,07	0,69	0,59
60	-25	184	232	1,20	0,79	0,68
60	-23,3	201	243	1,24	0,83	0,72
60	-20	238	264	1,34	0,90	0,78
60	-15	300	298	1,48	1,01	0,87
60	-10	370	332	1,64	1,12	0,96

EN12900

X	Cooling Capacity (W)	Consumption (W)	Current (A)	Mass Flow (kg/h)
1	1.373,8248822159	259,9086594896	1,3262442982	29,407825273258
2	33,7337996743	2,6301593091	0,0152432261	0,83249097546289
3	-14,5308727590	2,5660141759	0,0117759154	-0,15825099212793
4	0,1513949918	0,0205378702	0,0001842105	0,0060931638848674
5	-0,2793655422	0,0820378225	0,0003622016	-0,0025539070595428

Equation	$x_1 + x_2Te + x_3Tc + x_4Te^2 + x_5TeTc$
----------	---

COMPRESSOR DIMENSIONS

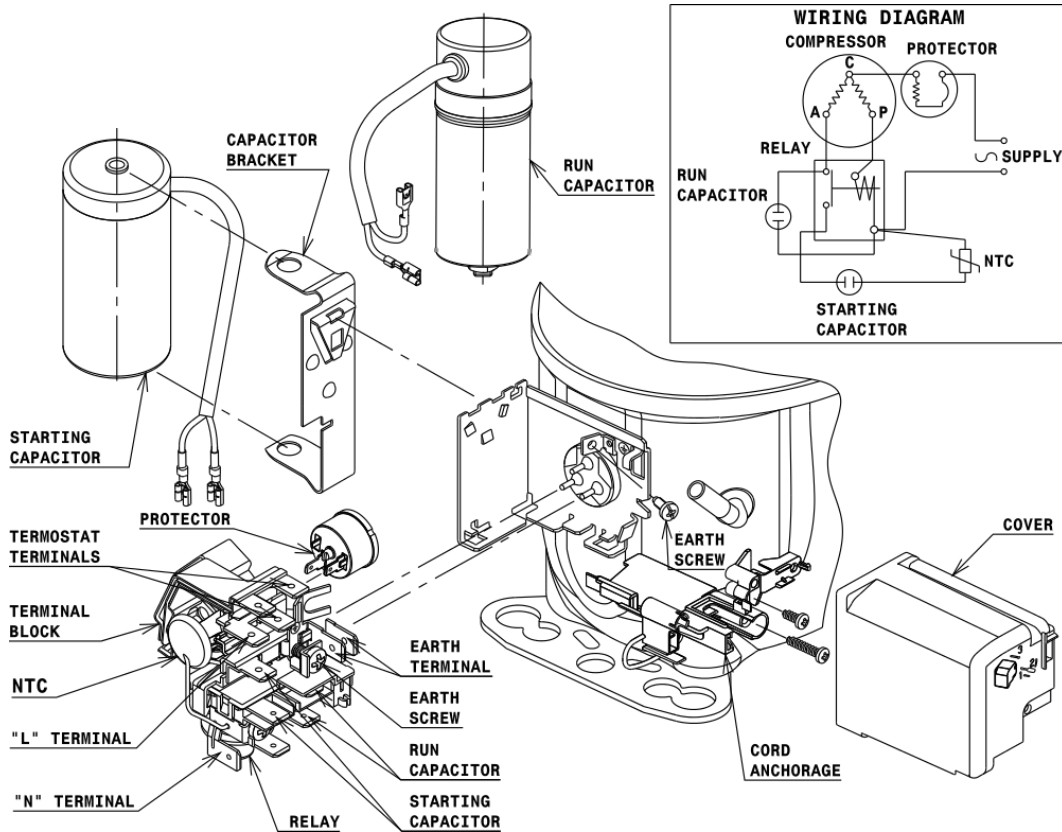


DESIGNATION INTERNAL DIAM.

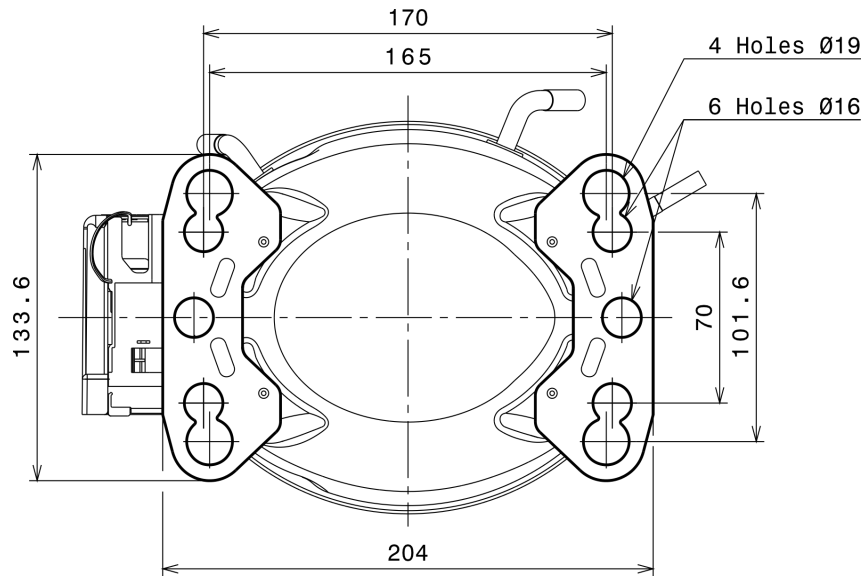
DESIGNATION	INTERNAL DIAM.
1 Suction	6,5 mm
2 Service	6,5 mm
3 Discharge	4,9 mm

WIRING DIAGRAMS AND ELECTRICAL ASSEMBLY

CSR CONNECTION (CURRENT RELAY + NTC) (L, P ranges)



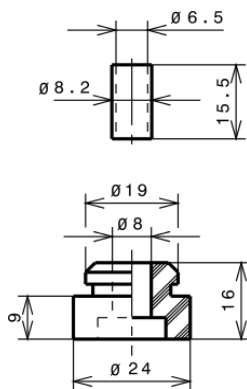
FIXINGS



SILENT BLOCKS (MOUNTING ACCESSORIES)

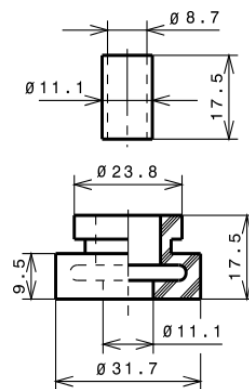
STANDARD

$\varnothing 16$ holes (170x70 net)



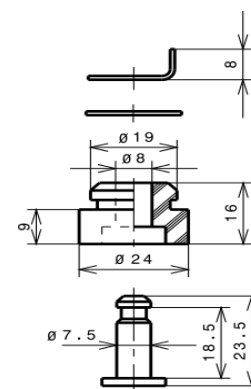
AMERICAN FEET

$\varnothing 19$ holes (165x101.6 net)



SNAP-ON

$\varnothing 16$ holes (170x70 net)



SOA

SOA R404A LBP

